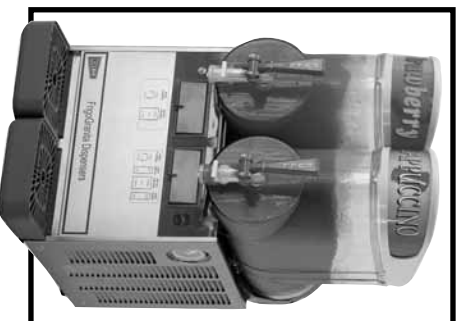


# Frigo Granita & Frigo Drink Parts Price List

September 2005

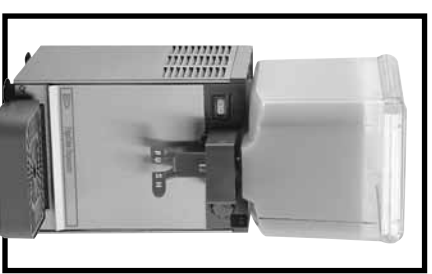
# C E C I L W A R E



**Granita Dispensers**  
MT Series  
Giant Series  
NHT Series

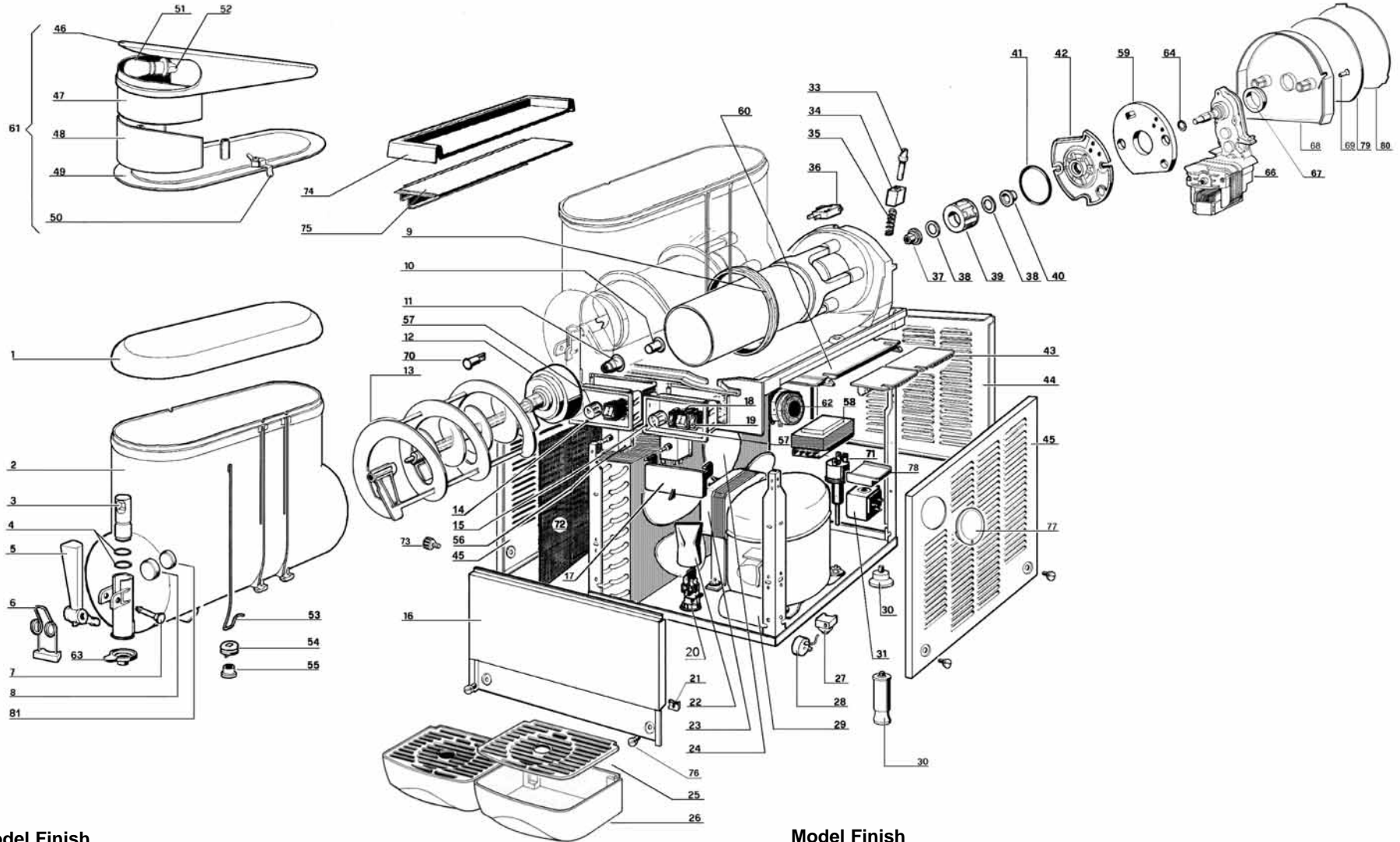


**Cold Beverage Dispensers**  
HT 20 Series  
HT 11 Series  
HT 10 Series



**Cold Beverage Dispensers**  
Caddy 5 Series  
Caddy 10 Series

# "MT" Spare Parts List



DWG #	Model Finish		Description	List Price
	Dark Gray Part #	Black Part #		
1	00263		Transparent cover	\$ 46.00
2	00106		Bowl	200.00
3	00161		Faucet piston	14.00
3	00420*		New Faucet piston (after serial # 205862)	9.00
4	00101		Faucet piston "O" Ring	1.50
5	00102	00497	Faucet handle	20.00
5	00639*		New RED faucet handle (after serial # 205862)	20.00
5		00640*	New BLACK faucet handle (after serial # 205862)	20.00
6	00122		Faucet handle spring	11.50

DWG #	Model Finish		Description	List Price
	Dark Gray Part #	Black Part #		
6	00447*		New faucet handle spring (after serial # 205862)	\$ 11.60
7	00103	00498	Faucet handle pin	5.00
8	00109		Thrust washer	2.50
9	00105		Bowl gasket	36.00
10	00126		Rear wall front bushing	3.20
11	00127		Auger bushing	5.20
12	00110		Auger	198.00
13	00111	00556	Outer spiral	40.00

\*New faucet handle can be used with old faucet spring and old faucet piston. Old faucet handle cannot be used with new faucet spring and new faucet piston

## "MT" Spare Parts List

DWG #	Model Finish			Description	List Price
	Dark Gray Part #	Black Part #	Light Gray Part #		
14	00129	00499		Switch box	\$ 7.50
15	00130	00500		Power switch box	7.50
16	00000			Front dispensing panel	see next page
17	00245	00504	00562	Switch box cover	7.00
18	00123			3-position switch	20.00
19	00124			2-position switch	8.50
20	00265			Terminal block w/ cable clamp	13.00
21	00179			Clip	1.30
22	00297			Terminal block protection	2.60
23	00000			Fan motor	see next page
24	00133			Fan blade	19.00
25	00000			Drip tray cover	see next page
26	00000			Drip tray	see next page
27	xxx			Relay (Chart)	see next page
28	xxx			Overload protector (Chart)	see next page
29	xxx			Starting-run capacitor (Chart)	see next page
30	00092			4" leg (1)	31.00
30	00158			Rubber leg	2.60
31	00120			Solenoid valve coil	47.00
33	00087			Density adjustment screw	6.20
34	00089			Shaped nut	4.20
35	00088			Density spring	2.60
36	00121			Microswitch	11.00
37	00227			Rear wall rear bushing	3.10
38	00229			Magnetic drive washer	1.80
39	00228			Magnetic drive	156.00
40	00230			Flange bushing	3.10
41	00226			Flange "O" Ring 3231	2.70
42	00183			Gear motor flange	34.50
43	00000			Delay electronic device (PWB)	see next page
44	00000			Back panel	see next page
45	00237	00513		MT1P-2-3 left side panel	90.00
45	00238			MT1 side panel	58.00
45	00526	00514		MT1P-2-3 side panel w/ timer	90.00
46	00147	00515	00563	Lighted top cover (upper)	44.00
47	00178		00572	Fruit picture	17.30
48	00188		00575	Picture screen	21.50
49	00094			Lighted top cover (lower)	37.00
50	00084			Top cover light contact	9.00

DWG #	Model Finish			Description	List Price
	Dark Gray Part #	Black Part #	Light Gray Part #		
51	00100			Bulb	\$ 9.50
52	00131			Bulb socket	11.50
53	00148			Light wire	14.00
54	00098	00533	00567	Flexible contact	20.50
55	00177			Fixing ring	2.00
56	00132			Thermostat	54.00
57	00182			Thermostat knob	4.50
58	00000			Transformer	see next page
59	00231			Insulation foam	8.50
60	00268			PWB housing	37.00
61	00099	00520	00568	Lighted top cover (assy.)	130.00
62	00269			Defrost timer switch	154.00
63	00134			Restrictor cap	8.00
64	00144			Central shaft "O" ring	1.00
66	00046			Gear motor	368.00
67	00153			Rear bushing	2.30
68	00091	00516	00573	Rear cover	26.00
69	00154	00517	00569	Rear cover fixing screw	5.00
70	00181			Warning light	5.00
71	00195			Safety pressure switch	120.00
72	00119			Condenser filter	16.00
73	00135	00519	00570	Panel fixing screw	0.80
74	00250			Side tray for MT1P-UL	66.00
75	00251		00571	Upper tray w/ bkt for MT1P-UL	80.00
76	00532			S/S fixing screw for panel	0.80
77	00157			Timer cover	15.00
78	00463			Solenoid valve plastic cap	2.90
79	-		00574	Rear cover picture	10.00
80	-		00575	Rear cover picture screen	21.50

### PARTS SHOWN NOT NUMBERED

00146				Petrogel	\$ 7.50
00173	00373	00586		Complete evaporator	506.00
00233	00464	00584		Rear wall	66.00
00234		00585		Evaporator support	34.00
00483	00374			Complete evaporator (AF)	506.00
00547				Evaporator sealant	26.00

\*New faucet handle can be used with old faucet spring and old faucet piston. Old faucet handle cannot be used with new faucet spring and new faucet piston.

## "MT" Spare Parts List

00000

DWG #	Description	MT1		MT1P		MT2			MT2 (AF)			MT3		MT3 (AF)	
		PART #	LIST PRICE	PART #	LIST PRICE	PART #	S/S	BLK	LIST PRICE	PART #	S/S	BLK	LIST PRICE	PART #	LIST PRICE
16	Front dispensing panel	00239	\$ 69.00	00271	\$ 55.00	00240		00502	\$ 138.00	00241		00503	\$ 218.00		
23	Fan motor	00248	424.00	00108	149.50	00108		00108	149.50	00108		00108	149.50		
25	Drip tray cover	00138	9.50	00272	23.00	00138		00506	9.50	00138		00506	9.50		
26	Drip tray	00139	17.00	00273	31.00	00139		00508	17.00	00139		00508	17.00		
43	Delay electronic device (PWB)	00249	184.00	00249	184.00	00113		00113	220.00	00081		00081	269.00	R22 ONLY	
43	Delay electronic device (PWB)	00448	200.00	00448	200.00	00448		00448	200.00	00448		00448	200.00	R404 ONLY	
44	Back panel	00235	76.00	00275	51.50	00236		00511	126.00	00276		00512	218.50		
58	Transformer	00192	115.00	00192	115.00	00193		00193	142.00	00194		00194	161.00		

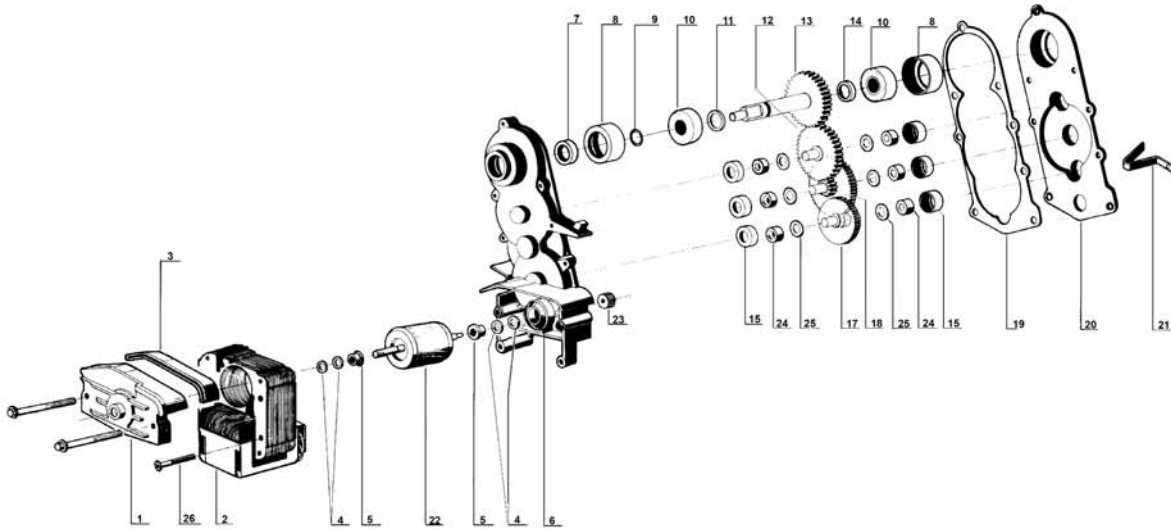
COMPRESSORS - Stainless Steel or Black Finishes Do Not Apply

		00367	\$ 690.00	00480	\$ 690.00	00085		\$ 600.00	00082		\$ 690.00	R22 ONLY
						00398		770.00	00466		\$ 920.00	R404 ONLY

XXX

DWG #	Description	MT1/MT1P PART #	MT2 PART #	LIST PRICE	MT3 PART #	LIST PRICE
27	Relay	00355 (R22 OR R404)	00160 (R22 OR R404)	\$ 78.00	00417 (R22 OR R404)	\$ 152.00
28	Overload protector	00356 (R22 OR R404)	00159 (R22 ONLY)	74.00	00402 (R22 ONLY)	48.00
28	Overload protector	—	00402 (R404 ONLY)	48.00	00413 (R404 ONLY)	50.00
29	Starting-run capacitor	—	00125 (R22 ONLY)	138.00	00353 (R22 ONLY)	206.00
29	Starting-run capacitor	—	00353 (R404 ONLY)	206.00	00353 (R404 ONLY)	206.00
					00400 RUN CAPACITOR	72.00

## "MT" Gear Motor Spare Parts List

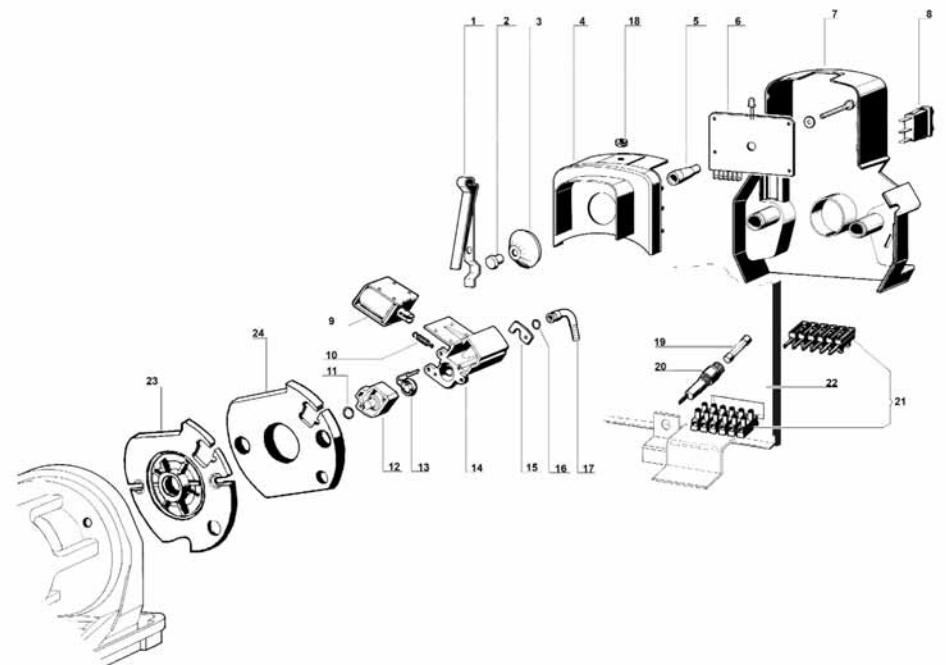


DWG #	Part #	Description	List Price
1	00097	Bracket with bushing	\$ 20.00
2	00156	Stator	53.00
3	00296	Stator protection gasket	5.50
4	00168	Washer	1.50
5	00253	Rotor spacer	1.40
6	00190	Gear box w/ bushing	76.00
7	00256	Seal retainer	11.00
8	00254	Ball bearing rubber cap	2.00
9	00144	Gear motor "O" ring	1.00
10	00247	Ball bearing 28 mm	17.50
11	00257	1.5 mm spacer	2.60
12	00184	Third gear	46.00
13	00165	Fourth gear	53.00
14	00258	3.3 mm spacer	2.60
15	00224	Bushing rubber cap	1.30
17	00164	First gear	53.00
18	00198	Second gear	57.50
19	00636	Gasket	5.00
20	00189	Gear box cover	34.50
21	00261	Microswitch spring	5.20
22	00180	Rotor	39.00
23	00187	Pinion	21.00
24	00169	Bushing	1.50
25	00170	Washer	1.20
26	00262	Stator screw	0.70

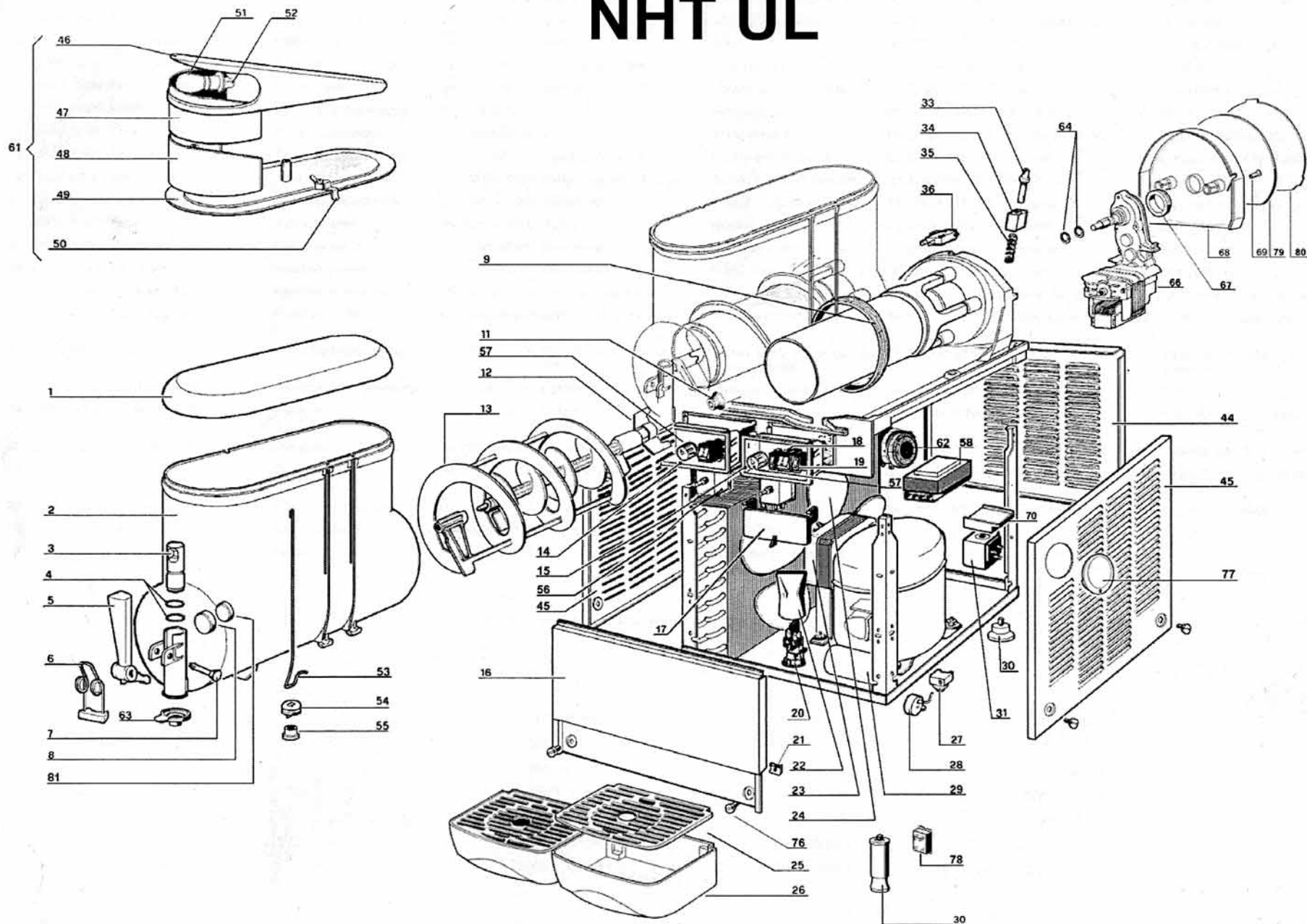
DWG #	Part #	Black Part #	Description	List Price
1	00115		Clip probe	\$ 30.00
2	00277		Contact	12.50
3	00278		Flexible contact	10.50
4	00279	00491	Front cover	17.50
5	00280		Contact spacer	3.50
6	00473		Control PWB	154.00
7*	00281	00492	Rear cover	34.50
8	00282		Three position switch	12.50
9	00283		Solenoid valve	145.00
10	00284		Spring	11.00
11	00144		Faucet "O" ring	1.00
12	00285	00493	Faucet front part	8.50
13	00286		Faucet gasket	19.00
14	00287	00494	Faucet rear part	19.00
15	00288		Fitting locker	2.80
16	00112		Fitting "O" ring	1.30
17	00095		Bent 1/4" fitting	30.00
18	00289		LED light gasket	1.50
19	00290		1.25 amps 250 V fuse	5.20
20	00291		Fuse holder	33.50
21	00292		Terminal block	15.00
22	00293		MT2 AF back panel	55.00
22	00294		MT3 AF back panel	69.00
23	00295		Gear motor flange	32.00
24	00231		Insulation foam	8.50

\* Light Gray part # 00573 (\$26 List Price)

## "MT" Auto Fill System Spare Parts List



# NHT UL



## "NHT" Spare Parts List

DWG #	Model Finish			Description	List Price
	Dark Gray Part #	Black Part #	Light Gray Part #		
1	00263			Transparent cover	\$ 46.00
2	00106			Bowl	200.00
3	00161			Faucet piston	14.00
3	00420*			New faucet piston (after serial # 205862)	9.00
4	00101			Faucet piston "O" Ring	1.50
5	00102	00497		Faucet handle	20.00
5	00639*			New RED faucet handle (after serial # 205862)	20.00
5		00640*		New BLACK faucet handle (after serial # 205862)	20.00
6	00122			Faucet handle spring	11.50
6	00447*			New faucet handle spring	11.60
7	00103	00498		Faucet handle pin	5.00
8	00109			Thrust washer	2.50
9	00105			Bowl gasket	36.00
10	00126			Rear wall front bushing	3.20
11	00385			Auger bushing	5.20
12	00386			Auger	69.00
13	00111	00556		Outer spiral	40.00
14	00129	00499		Switch box	7.50
15	00130	00500		Power switch box	7.50
16	00000			Front dispensing panel	see next page
17	00245	00504	00562	Switch box cover	7.00
18	00123			3-position switch	20.00
19	00124			2-position switch	8.50
20	00265			Terminal block w/ cable clamp	13.00
21	00179			Clip	1.30
22	00297			Terminal block protection	2.60
23	00000			Fan motor	see next page
24	00133			Fan blade	19.00
25	00000			Drip tray cover	see next page
26	00000			Drip tray	see next page
27	xxx			Relay (Chart)	see next page
28	xxx			Overload protector (Chart)	see next page
29	xxx			Starting-run capacitor (Chart)	see next page
30	00092			4" leg (1)	31.00
30	00158			Rubber leg	2.60
31	00120			Solenoid valve coil	47.00
33	00087			Density adjustment screw	6.20
34	00089			Shaped nut	4.20
35	00088			Density spring	2.60

DWG #	Model Finish			Description	List Price
	Dark Gray Part #	Black Part #	Light Gray Part #		
36	00121			Microswitch	\$ 11.00
44	00000			Back panel	see next page
45	00237	00513		NHT2-3 left side panel	90.00
45	00526	00514		NHT2-3 side panel w/timer	90.00
46	00147	00515	00563	Lighted top cover (upper)	44.00
47	00178		00572	Fruit picture	17.30
48	00188		00575	Picture screen	21.50
49	00094			Lighted top cover (lower)	37.00
50	00084			Top cover light contact	9.00
51	00100			Bulb	9.50
52	00131			Bulb socket	11.50
53	00148			Light wire	14.00
54	00098	00490	00567	Flexible contact	20.50
55	00177			Fixing ring	2.00
56	00132			Thermostat	54.00
57	00182			Thermostat knob	4.50
58	00000			Transformer	see next page
61	00099	00520	00568	Lighted top cover (assy.)	130.00
62	00269			Defrost timer switch	154.00
63	00134			Restrictor cap	8.00
64	00255			Central shaft "O" ring	2.00
66	00387			Gear motor	345.00
67	00153			Rear bushing	2.30
68	00091	00516	00573	Rear cover	26.00
69	00154	00517	00569	Rear cover fixing screw	5.00
70	00463			Solenoid valve plastic cap	2.90
76	00532			S/S fixing screw for panel	0.80
77	00157			Timer cover	15.00
78	00531			Relay for NHT	78.00
80	-		00575	Rear cover picture screen	21.50
81	00109			Thrust washer	2.50

### PARTS SHOWN NOT NUMBERED

00403	00591	-	Complete evaporator	\$ 450.00
		00586	evaporator	506.00
		00592	Complete evaporator (AF)	450.00
00546	00560	00584	Rear wall	66.00
00234	Consult factory	00585	Evaporator support	34.00
00146			Petrogel	7.50
00547			Evaporator sealant	26.00

\*New faucet handle can be used with old faucet spring and old faucet piston. Old faucet handle cannot be used with new faucet spring and new faucet piston.

# "NHT" Spare Parts List

00000

DWG #	Description	NHT2	NHT2	NHT2	LIST PRICE	NHT3	NHT3	NHT3	LIST PRICE
		PART # S/S	PART # BLK	PART # BLK(AF)		PART # S/S	PART # BLK	PART # BLK(AF)	
16	Front dispensing panel	00240	00502	00502	\$ 138.00	00241	00503	00503	\$ 218.00
23	Fan motor	00108	00108	00108	149.50	00108	00108	00108	149.50
25	Drip tray cover	00138	00506	00506	9.50	00138	00506	00506	9.50
26	Drip tray	00139	00508	00508	17.00	00139	00508	00508	17.00
44	Back panel	00236	00511	00495	126.00	00276	00512	00496	218.00
58	Transformer	00193	00193	00193	142.00	00194	00194	00194	161.00

**COMPRESSORS - Stainless Steel or Black Finishes Do Not Apply**

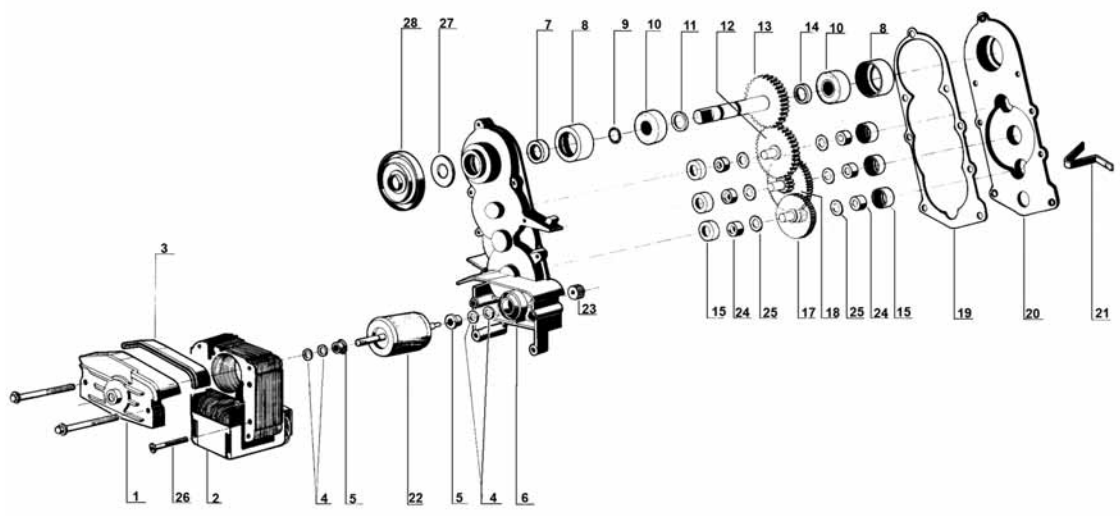
Compressor	00085	\$ 600.00	00082	\$ 690.00 R22 ONLY
Compressor	00398	770.00	00466	920.00 R404 ONLY

**XXX**

DWG #	Description	NHT2 (AF) PART #	LIST PRICE	NHT3 (AF) PART #	LIST PRICE
27	Relay	00160 (R22 OR R404)	\$ 78.00	00417 (R22 OR R404)	\$ 152.00
28	Overload protector	00159 (R22 ONLY)	74.00	00402 (R22 ONLY)	48.00
28	Overload protector	00402 (R404 ONLY)	48.00	00413 (R404 ONLY)	50.00
29	Starting-run capacitor	00125 (R22 ONLY)	138.00	00353 (R22 ONLY)	206.00
29	Starting-run capacitor	00353 (R404 ONLY)	206.00	00353 (R404 ONLY)	206.00
29	Run Capacitor			00400	72.00



# "NHT" Gear Motor Spare Parts List

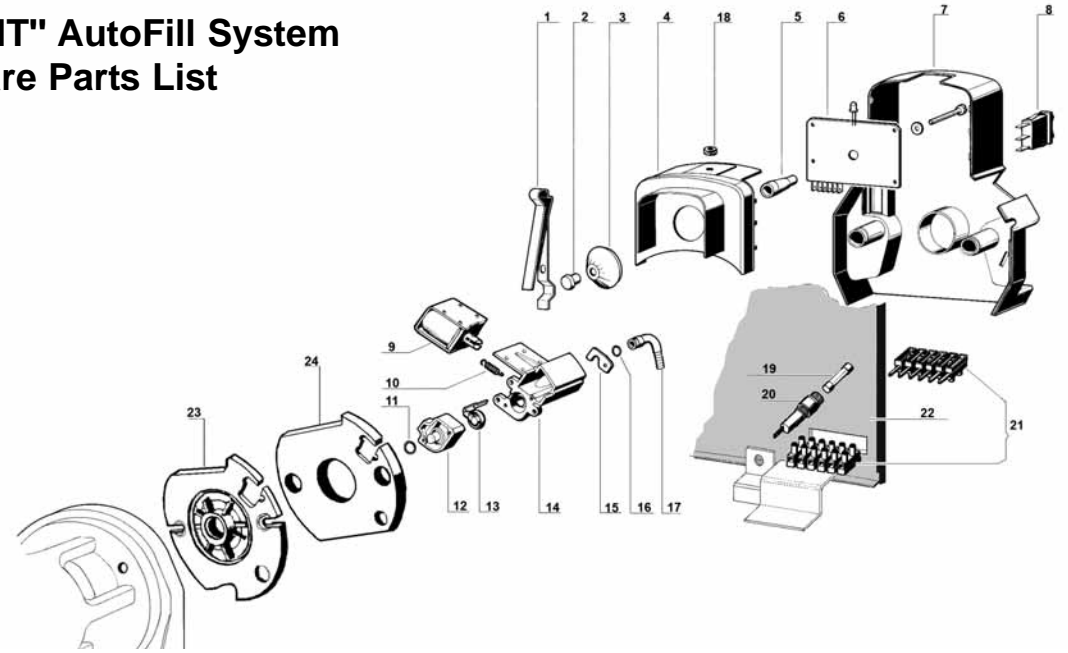


DWG #	Part #	Description	List Price
1	00097	Bracket with bushing	\$ 20.00
2	00156	Stator	53.00
3	00296	Stator protection gasket	5.50
4	00168	Washer	1.50
5	00253	Rotor spacer	1.40
6	00190	Gear box w/ bushing	76.00
7	00256	Seal retainer	11.00
8	00254	Ball bearing rubber cap	2.00
9	00255	Gear motor "O" ring	2.00
10	00247	Ball bearing 28 mm	17.50
11	00257	1.5 mm spacer	2.60
12	00184	Third gear	46.00
13	00388	Fourth gear	40.50
14	00258	3.3 mm spacer	2.60
15	00224	Bushing rubber cap	1.30
17	00164	First gear	53.00
18	00167	Second gear	57.50
19	00636	Gasket	5.00
20	00189	Gear box cover	34.50
21	00261	Microswitch spring	5.20
22	00180	Rotor	39.00
23	00187	Pinion	21.00
24	00169	Bushing	1.50
25	00170	Washer	1.20
26	00262	Stator screw	0.70
27	00151	Shield washer	2.00
28	00152	Shield	6.00

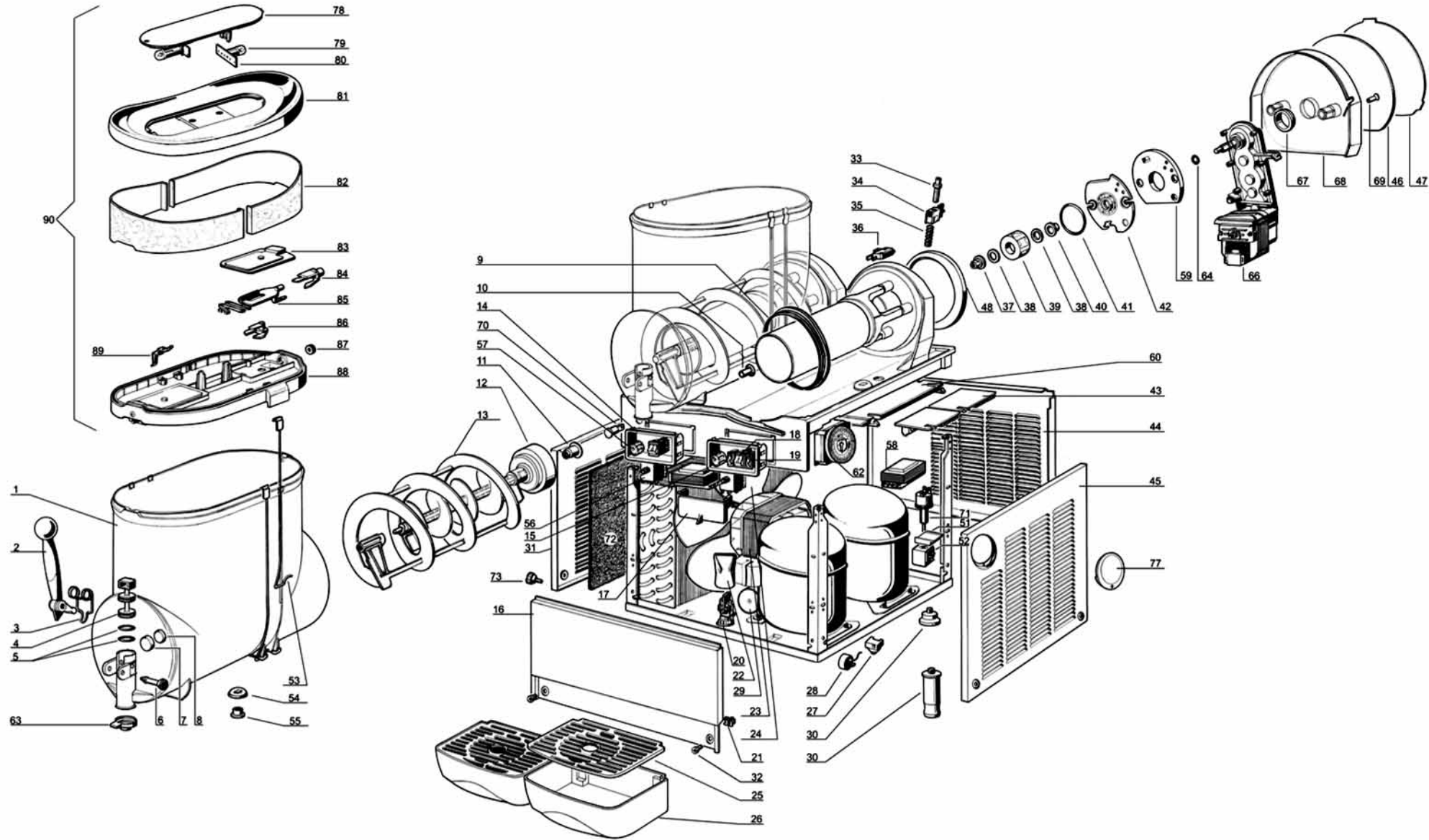
DWG #	Part #	Black Part #	Description	List Price
1	00115		Clip probe	\$ 30.00
2	00277		Contact	12.50
3	00278		Flexible contact	10.50
4	00279	00491	Front cover	17.50
5	00280		Contact spacer	3.50
6	00473		Control PWB	154.00
7*	00281	00492	Rear cover	34.50
8	00282		Three position switch	12.50
9	00283		Solenoid valve	145.00
10	00284		Spring	11.00
11	00144		Faucet "O" ring	1.00
12	00285	00493	Faucet front part	8.50
13	00286		Faucet gasket	19.00
14	00287	00494	Faucet rear part	19.00
15	00288		Fitting locker	2.80
16	00112		Fitting "O" ring	1.30
17	00095		Bent 1/4" fitting	30.00
18	00289		LED light gasket	1.50
19	00290		1.25 amps 250 V fuse	5.20
20	00291		Fuse holder	33.50
21	00292		Terminal block	15.00
22	00293		NHT2 AF back panel	55.00
22	00294		NHT3 AF back panel	69.00
23	00295		Gear motor flange	32.00
24	00231		Insulation foam	8.50

\* Light Gray Part #: 00573 (\$26 List Price)

# "NHT" AutoFill System Spare Parts List



# "Giant" Spare Parts List



## “Giant” Spare Parts List

DWG #	Model Finish		Description	List Price
	Dark Gray Part #	Black Part #		
1	00418		Bowl	\$ 228.00
2	00419		Faucet handle	30.00
3	00447		Faucet handle spring	11.60
4	00420		Faucet piston	9.00
5	00101		Faucet piston “O” ring	1.50
6	00103	00498	Faucet handle pin	5.00
7	00109		Thrust washer rubber cap	1.80
9	00454		Bowl gasket	33.70
10	00126		Rear wall front bushing	3.20
11	00227		Auger bushing	3.10
12	00110		Auger	198.00
13	00435		Outer spiral	88.00
14	00129	00499	Switch box	7.50
15	00130		Power switch box	7.50
16	00434	00641	Front panel	110.00
17	00245	00504	Switch panel cover	7.00
18	00123		3-Position switch	20.00
19	00124		2-Position switch	8.50
20	00265		Terminal block w/ cable clamp	13.00
21	00179		Clip	1.30
22	00297		Terminal block protection	2.60
23	00446		Fan motor	132.00
24	00451		Fan blade	22.00
25	00438	00456	Drip tray cover	11.50
26	00437	00457	Drip tray	16.50
27	00160		Relay	78.00
28	00402		Overload protector	48.00
29	00353		Start capacitor	206.00
30	00092		4” Rubber leg	31.00
30	00158		Rubber leg	2.60
31	00439	00643	Left side panel	96.00
32	00532		S/S fixing screw	0.80
33	00087		Density adjustment screw	6.20
34	00452		Shaped nut	4.20
35	00088		Density spring	2.60
36	00121		Microswitch	11.00
37	00227		Rear wall rear bushing	3.10
38	00229		Magnetic drive washer	1.80
39	00228		Magnetic drive	156.00
40	00230		Flange bushing	3.10
41	00226		Flange “O” Ring 3231	2.70
42	00183		Gear motor flange	34.50

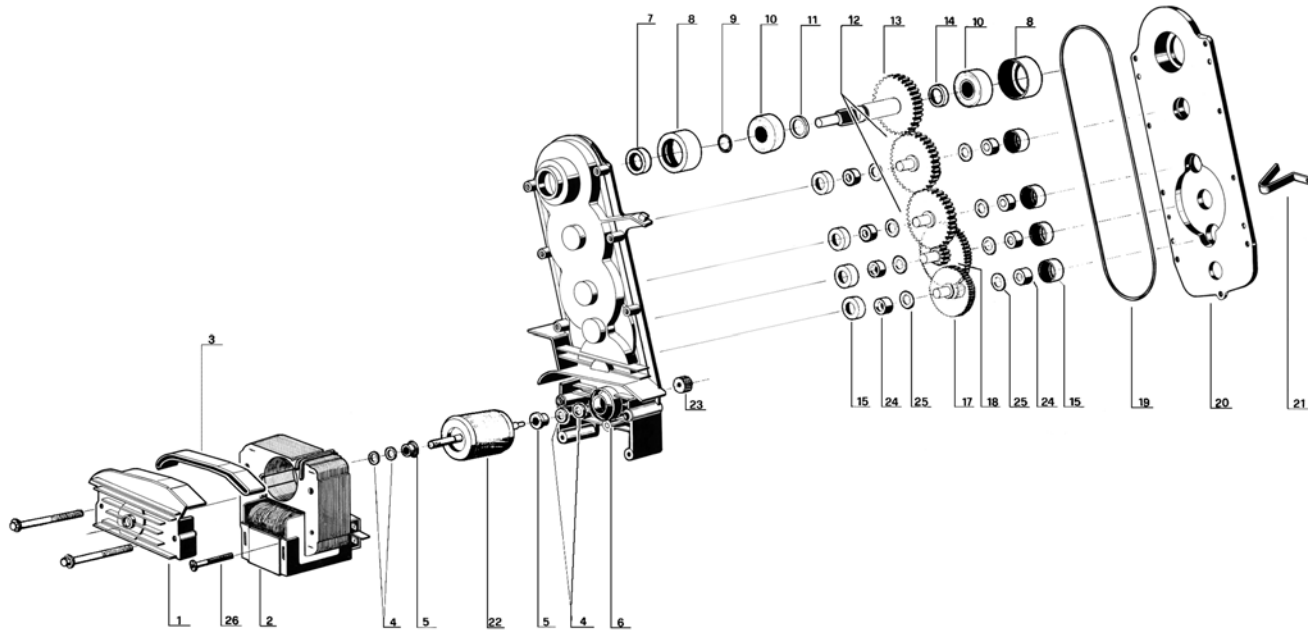
DWG #	Model Finish		Description	List Price
	Dark Gray Part #	Black Part #		
43	00448		Delay electronic device (PWB)	\$ 200.00
44	00440	00644	Back panel	96.00
45	00439	00538	Right side panel w/ timer	96.00
46	00443		Rear cover picture	37.00
47	00444		Rear cover picture screen	37.00
48	00441		Insulation foam	4.50
51	00120		Solenoid valve coil	47.00
52	00463		Solenoid valve plastic cap	2.90
53	00421		Light wire	15.00
54	00098	00533	Flexible contact	20.50
55	00177		Fixing ring	2.00
56	00132		Thermostat	54.00
57	00182		T-Stat knob	4.50
58	00193		Transformer	142.00
59	00231		Insulation foam	8.50
60	00449		PWB housing	20.00
62	00269		Defrost timer	154.00
63	00134		Restrictor cap	8.00
64	00255		Central shaft “O” ring	2.00
66	00445		Gear motor	408.00
67	00153		Rear bushing	2.30
68	00442	00458	Rear cover	33.50
69	00154	00517	Rear cover fixing screw	5.00
70	00540		Warning light	6.00
71	00195		Safety pressure switch	120.00
72	00453		Condenser filter	20.00
73	00135	00519	Side panel fixing knob	0.80
77	00525		Timer cover	14.00
78	00534	00459	Bulb socket support	14.50
79	00431		10W, 24V bulb	9.80
80	00131		Bulb socket	11.50
81	00430	00461	Top cover - upper	36.00
82	00429		Picture	54.00
83	00428		Plate for cover fixing device	14.00
84	00427		Cover unlock push button	7.40
85	00425		Cover fixing device	8.50
86	00424		Push button lock	7.60
87	00423		Fixing pin gasket	2.30
88	00422		Top cover - lower	70.50
89	00426		Top cover light contact	7.00
90	00433		Lighted top cover (assy.)	194.00

### PARTS SHOWN NOT NUMBERED

00398		Compressor (2x) R404	\$ 770.00
00576	00577	Evaporator (assy.)	466.00

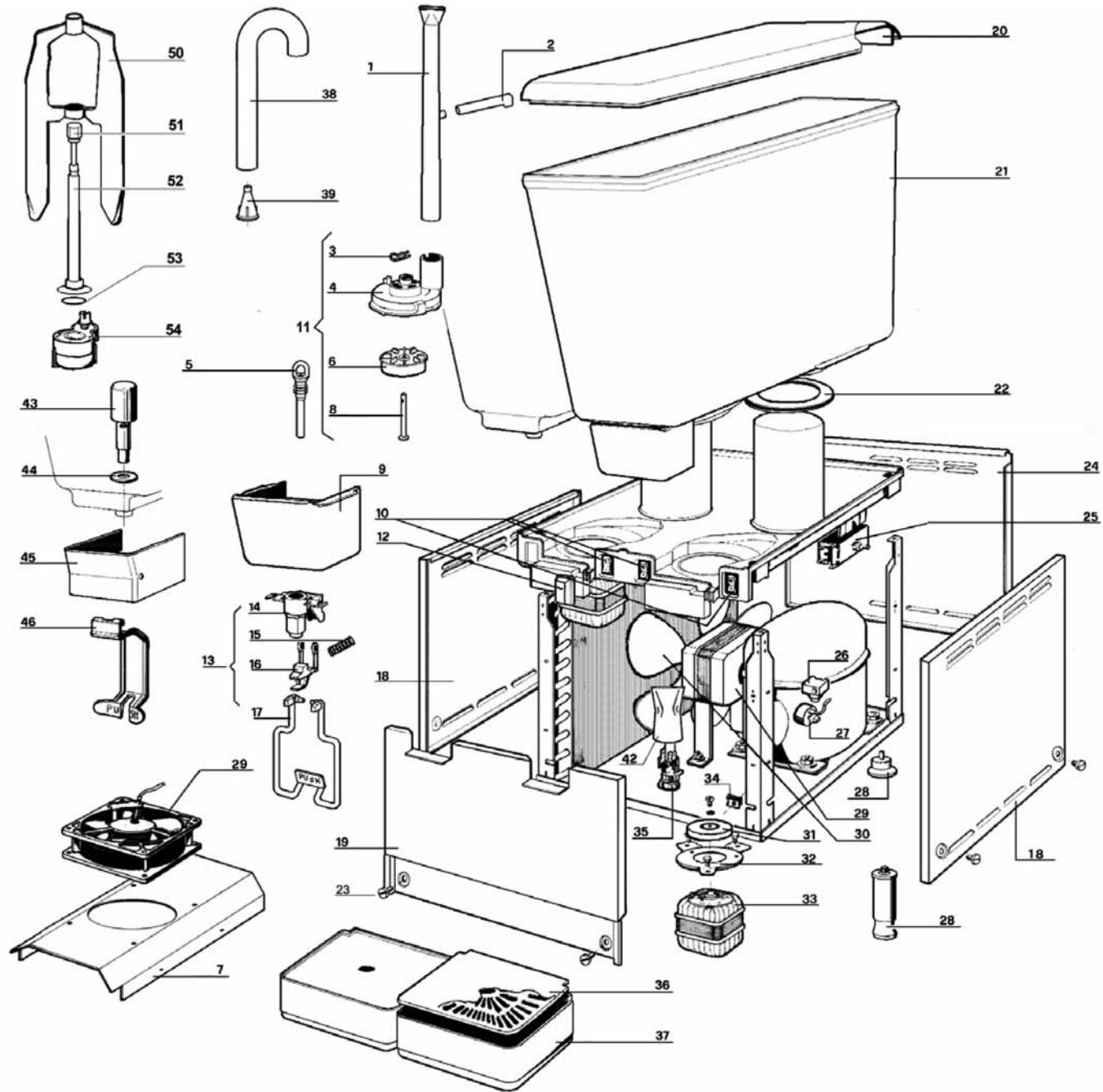
\*New faucet handle can be used with old faucet spring and old faucet piston. Old faucet handle cannot be used with new faucet spring and new faucet piston.

# "Giant" Gear Motor Spare Parts List



DWG #	Part #	Description	List Price
1	00598	BRACKET W/BUSHING	\$ 27.40
2	00599	STATOR	75.10
3	00296	STATOR PROTECTION GASKET	5.50
4	00168	WASHER	1.50
5	00253	ROTOR SPACER	1.40
6	00600	GEAR BOC W/BUSHING	67.00
7	00256	SEAL RETAINER	11.00
8	00254	BALL BEARING-28mm RUBBER CAP	2.00
9	00255	CENTRAL SHAFT O'RING	2.00
10	00247	BALL BEARING-28mm	17.50
11	00257	1.5mm SPACER	2.60
12	00184	THIRD GEAR	46.00
13	00601	FOURTH GEAR	46.80
14	00258	3.3mm SPACER	2.60
15	00224	BUSHING RUBBER CAP	1.30
17	00164	FIRST GEAR	53.00
18	00167	SECOND GEAR	57.50
19	00008	GASKET	602.00
20	00603	GEAR BOX COVER	46.80
21	00261	MICROSWITCH SPRING	5.20
22	00180	ROTOR	39.00
23	00187	PINION	21.00
24	00169	BUSHING	1.50
25	00170	WASHER	1.20
26	00262	BRACKET SCREW	0.70

# "HT20 Series, HT11 Series, HT10 Series" Spare Parts List

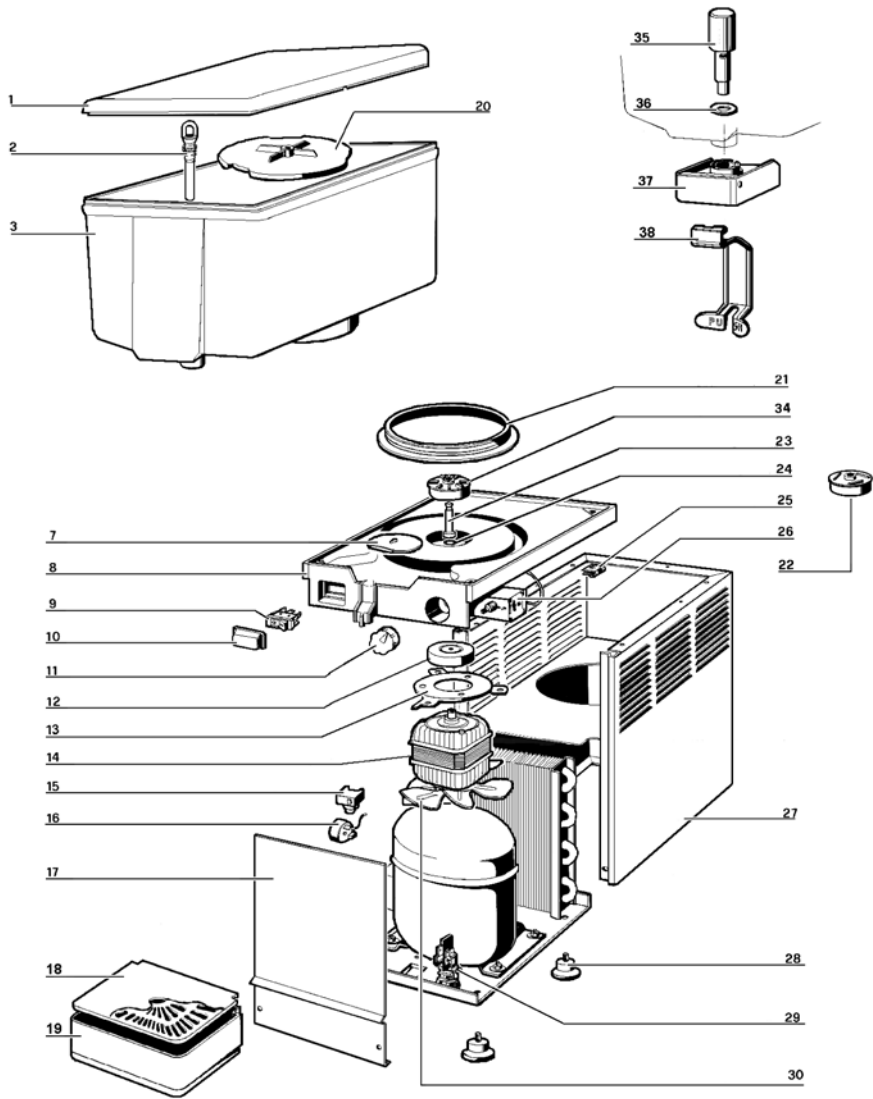


## "HT20 Series, HT11 Series, HT10 Series" Spare Parts List

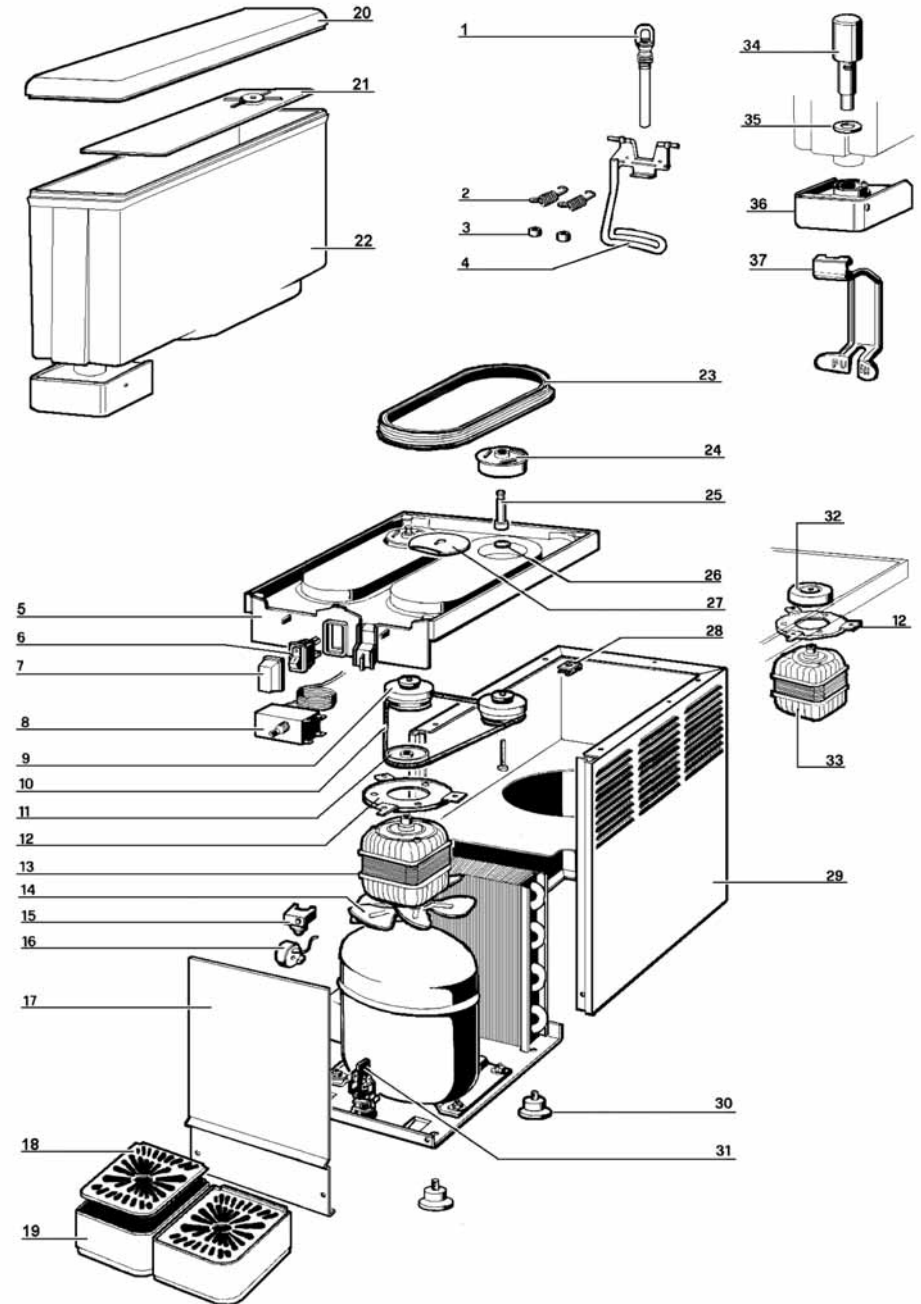
DWG #	Part #	Description	List Price
1	00317	Spray tube for 11 lt bowl	\$ 31.00
1	00018	Spray tube for 20 lt bowl	34.50
2	00016	L shaped tube	8.50
3	00033	Pump impeller retaining pin	5.00
4	00031	Pump	23.00
5	00002	Pinch tube	12.00
6	00049	Pump Impeller HT11-HT20	40.00
7	00316	HT 20/1 HT 20/1 air duct	43.50
8	00032	Pump impeller pivot	24.50
9	00042	Faucet cover	25.50
10	00006	Switch	11.50
11	00005	3-position switch	14.00
12	00048	Switch cap	3.80
13	00318	Faucet assembly	40.00
14	00027	Faucet body	15.00
15	00030	Faucet spring	1.30
16	00029	Faucet arm	9.20
17	00025	Push handle	17.00
18	00237	Side panel	90.00
19	00302	Dispensing Side Panel HT20/1, HT11/1	69.00
19	00303	Dispensing Side Panel HT20/2, HT11/2	150.00
19	00304	Dispensing Side Panel HT20/3, HT11/3	230.00
19	00305	Dispensing Side Panel HT20/4, HT11/4	332.00
20	00319	11 lt bowl cover	76.00
20	00014	20 lt bowl cover	88.00
21	00310	11 lt bowl	184.00
21	00078	20 lt bowl	216.00
22	00003	Bowl gasket	12.00
23	00532	Stainless steel fixing screw for panel	0.80
24	00306	Back Panel HT20/1, HT11/3	114.00
24	00307	Back Panel HT20/2, HT11/2	138.00
24	00308	Back Panel HT20/3, HT11/1	230.00
24	00309	Back Panel HT20/4, HT11/4	310.00
25	00320	HT20 and HT11 thermostat (all)	56.00
26	00412	Relay for HT20/2, HT20/3, HT20/4 (R134)	55.00
26	00408	Relay for HT20/1 (R134)	55.00
26	00414	Relay for HT20/2, HT20/3, HT20/4 (R404)	56.00

DWG #	Part #	Description	List Price
27	00402	Overload protector for HT20/2, HT20/3, HT20/4 (R404)	\$ 48.00
27	00413	Overload protector for HT20/2, HT20/3, HT20/4 (R134)	50.00
28	00158	Rubber leg	2.60
28	00409	Starter capacitor for HT20/1 (R134)	206.00
28	00416	Starter capacitor for HT20/4 (R404)	101.00
28	00411	Starter capacitor for HT20/2, HT20/3 (R404 & R134)	100.00
29	00300	Fan Motor HT 11/1	138.00
29	00011	Fan Motor HT 20/2, HT20/3	150.00
29	00301	Fan Motor HT 11/2, HT11/3, HT11/4	150.00
29	00299	Fan Motor HT 20/4	161.00
29	00298	Fan Motor HT 20/1	161.00
30	00314	HT 11/2 fan	25.00
30	00311	HT 11/1 fan	25.00
30	00312	HT 20/2, HT 20/3, HT 20/4 HT 11/4 fan	25.00
30	00610	HT 11/3 fan	14.24
31	00117	Motor magnet assembly	62.00
32	00116	Pump motor bracket	17.00
33	00045	Pump Motor HT 20 (all)	126.50
33	00045	Pump Motor HT 11 (all)	126.50
34	00179	Clip	1.30
35	00265	Terminal block with cable clamp	13.00
36	00138	Drip tray cover	9.50
37	00139	Drip tray	17.00
38	00315	HT 11 bent tube	28.00
38	00019	HT 20 bent tube	42.50
39	00020	Flow reducer	14.00
42	00297	Terminal block cover	2.60
43	00077	Faucet piston	92.00
44	00028	Faucet gasket	4.00
45	00043	Faucet cover	20.50
46	00026	Push handle (red)	19.00
46	00465	Push handle (gray)	19.00
50	00060	Stirrer	37.00
51	00561	Driving shaft HT20	55.00
51	00552	Driving shaft HT10	34.00
52	00558	Central shaft HT20	32.00
52	00553	Central shaft HT10	30.00
53	00559	Central shaft O-Ring HT20 and HT10	2.30
54	00053	Mixer motor HT11-HT20	116.00

## "Caddy 10 Series" Spare Parts List



## "Caddy 5 Series" Spare Parts List



## "Caddy 10 Series" Spare Parts List

DWG #	Part #	Description	List Price
1	00007	Cover	\$ 57.50
2	00002	Pinch tube	12.00
3	00072	10 lt bowl	80.00
4	00010	Faucet spring	8.60
5	00009	Rubber spring retainer	0.50
6	00001	Push handle	14.00
7	00489	Pump cover fixing clip	6.20
8	00395	Evaporator assembly	266.00
9	00006	Switch	11.50
10	00048	Switch cap	3.80
11	00606	Thermostat knob	4.00
12	00117	Magnet	62.00
13	00116	Motor bracket	17.00
14	00075	Fan/pump motor	126.50
15	***	Relay	
16	***	Overload protector	
17	00604	Caddy 7/1-10/1 dispensing side panel	47.50
17	00605	Caddy 10/2 dispensing side panel	61.00
18	00138	Drip tray cover	9.50
19	00139	Drip tray (grey)	17.00
20	00073	Pump cover (Old Caddy 10/1 Cover without Mod)	34.50
20	00404	Pump cover Caddy 10/1	29.00
21	00012	Bowl gasket	33.00
22	00050	Impeller for 7 lt bowl	42.00
23	00407	Central pivot	18.00
24	00112	Central pivot OR	1.30
25	00179	Clip	1.30
26	00320	Thermostat	56.00
28	00158	Leg	2.60
29	00265	Terminal block with cable clamp	13.00
30	00607	Fan	15.50
34	00379	Impeller for 10 lt bowl	48.00
35	00077	Faucet piston	92.00
36	00028	Faucet gasket	4.00
37	00044	Faucet cover	19.50
38	00026	Push handle	19.00

\*\*\* Please order what's printed on piece

## "Caddy 5 Series" Spare Parts List

DWG #	Part #	Description	List Price
1	00002	Pinch tube	\$ 12.00
2	00010	Faucet spring	8.60
3	00009	Spring holder	0.50
4	00001	Push handle	14.00
5	00395	Evaporator assembly	266.00
5	00609	Evaporator assembly Caddy 5/3	390.00
6	00006	Switch	11.50
7	00048	Switch cap	3.80
8	00004	Thermostat	72.00
9	00015	Pulley, magnet, and spacer assembly	46.00
10	00022	Belt	34.50
11	00590	Driving pulley	25.00
12	00116	Motor bracket	17.00
13	00076	Fan/pump motor	165.50
14	00607	Fan	15.50
15	***	Relay	
16	***	Overload protector	
17	00604	Caddy 5/2 dispensing side panel	47.50
17	00608	Caddy 5/3 dispensing side panel	37.80
17	00605	Caddy 5/4 dispensing side panel	61.00
18	00138	Caddy 5/2, 5/4 drip tray cover	9.50
18	00021	Caddy 5/3 drip tray cover	11.00
19	00139	Caddy 5/2, 5/4 drip tray	17.00
19	00013	Caddy 5/3 drip tray	18.00
20	00056	Bowl cover	30.00
21	00074	Pump cover	32.00
22	00052	Bowl for pinch tube faucet	84.00
22	00324	Bowl and faucet assembly for gravity faucet	104.00
23	00105	Bowl gasket	36.00
24	00050	Pump impeller	42.00
25	00407	Central pivot	18.00
26	00112	Central pivot O-Ring	1.30
27	00489	Pump cover retainer	6.20
28	00179	Clip	1.30
30	00158	Rubber leg	2.60
31	00265	Terminal block with cable clamp	13.00
32	00117	Motor magnet for Caddy 5/3	62.00
33	00045	Pump motor for Caddy 5/3	126.50
34	00077	Faucet piston	92.00
35	00028	Faucet gasket	4.00
36	00044	Faucet cover	19.50
37	00026	Push handle	19.00

\*\*\* Please order what's printed on piece